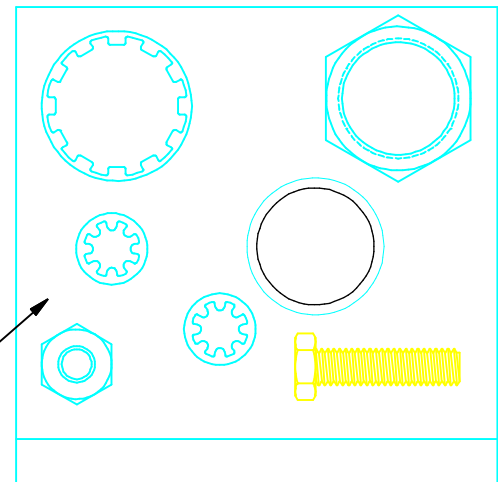
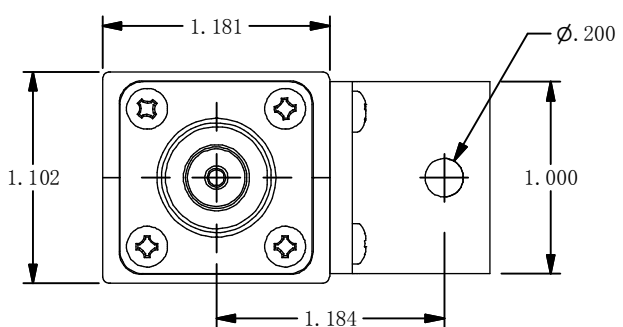
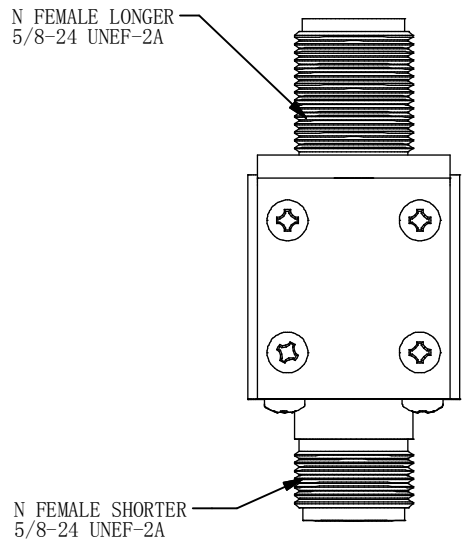
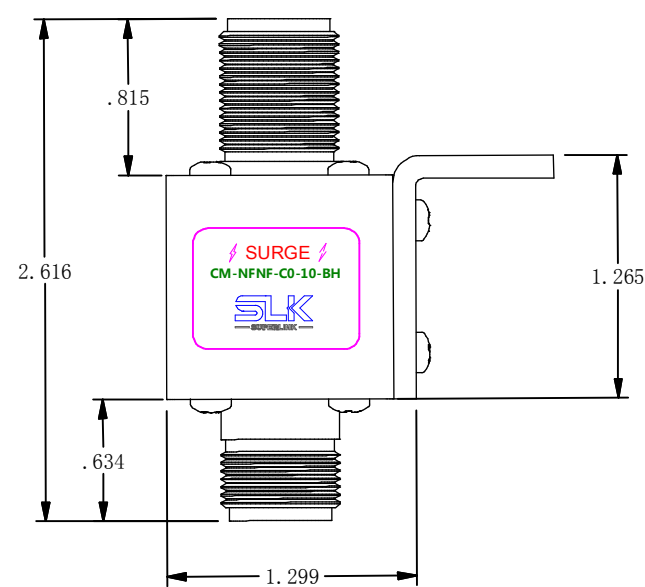
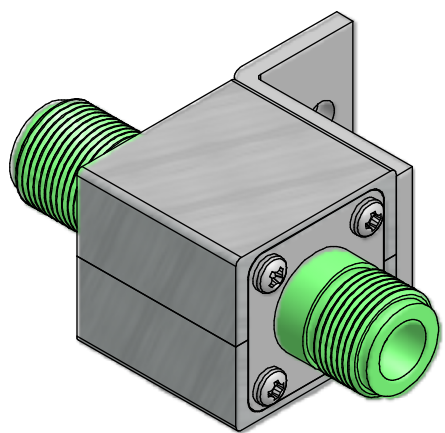


REV	DESCRIPTION	DATE	ME	EE	MKT	QA
-----	-------------	------	----	----	-----	----



Maximum Characteristics and Specification:

RF Specification :

Frequency Range : 1.5 ~ 1000MHz
 VSWR: ≤1.1:1 (Over Frequency Range)
 Insertion Loss: ≤0.1dB (Over Frequency Range)
 Maximum RF Power(RMS):
 2.0kW@1.5-50MHz; 375W@50-220MHz,
 125W@220-700MHz, 50W@700-1000MHz;

Surge Specification :

Surge Capability (Tested By IEC 61000-4-5 8/20µs Waveform) :
 Maximum:20kA (One time)
 Rated: 10kA (10X times)
 Turn-On Voltage:600Vdc(±20%)@ 1kV/µs
 Turn-On Time: 2.5ns for 2kV/ns
 Let-Through Energy: ≤10mJ±20% @ 10kA 8/20µs Waveform
 Let-Through Voltage: ≤100VDC±20% @ 10kA 8/20µs Waveform

Environment Characteristics:

Temperature: -55°C~+85°C (Storage/Operation)
 Vibration: 1G up to 100Hz
 Meet IEC60529 IP65

Dimension note: by inch

Application:

For HF&VHF&UHF Wireless such as Two-Way Radio, SCADA, ATC, GSM-R and so on,
 And Non-Weatherized Bulkhead Mounted,Flange Mounted

DRAWN BY	DATE
BEN SEOW	2019/11/20
MECH ENG	DATE
ELEC ENG	DATE
Q.A. DEPT	DATE
MKT DEPT	DATE

SLK
 SUPERLINK
 No.11,5th Industrial Park,XiaCun,GongMing,GuangMing,ShenZhen,GuangDong,PRC,518106

PART NO / TITLE / DESCRIPTION

CM-NFNF-C0-10-BH
 BROADBAND(1.5MHz-1.0GHz) NF/NF
 BULKHEAD MOUNT SURGE PROTECTOR

UNLESS OTHERWISE STATED
 DIMENSIONS ARE IN INCHES

TOLERANCES
 SURFACE FINISH = 63µin
 ANGLES = ±5°
 .X = ±.05
 .XX = ±.03
 .XXX = ±.01
 .XXXX = ±.005

DO NOT SCALE DRAWING

SCALE	PAGE	FILE TAG	CAGE CODE
			61114

ALL DESIGN, OPERATIVE AND PROCESS DATA PERTAINING TO THE ARTICLE SHOWN ON THIS SHEET IS THE PROPERTY OF SUPERLINK THE INFORMATION IS NOT TO BE COPIED, REPRODUCED, REVEALED TO OR APPROPRIATED BY OTHERS WITHOUT THE WRITTEN CONSENT OF SUPERLINK CORPORATION.