
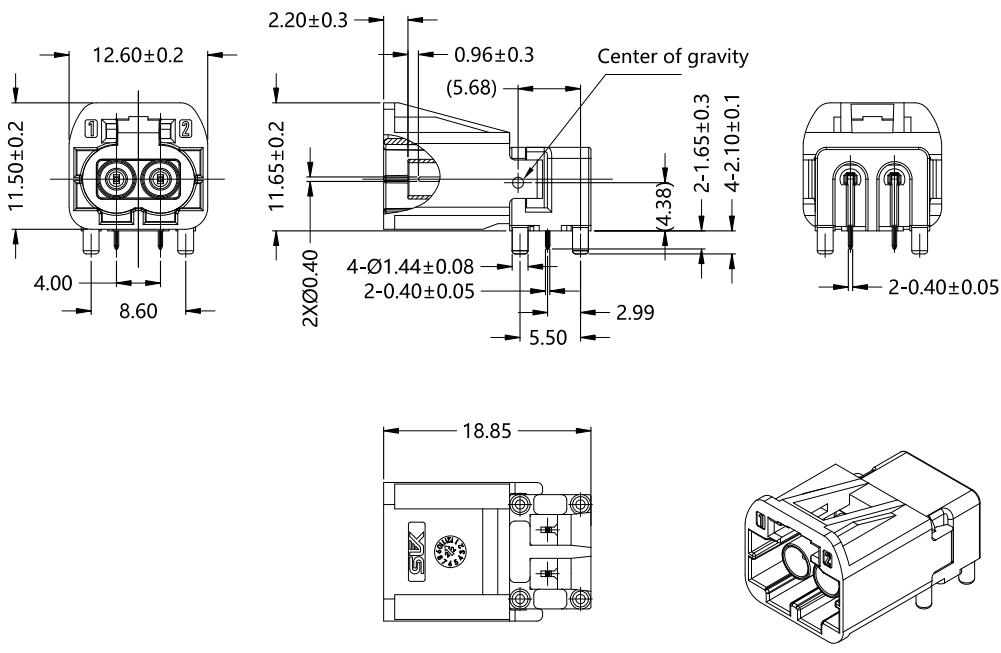


REV.	DESCRIPTION	ECN NO.	NAME	DATE	 ALL PARTS MUST MEET TO RoHS REQUIREMENTS
0	FIRST EDITION	N/A	Ming	2023-10-27	



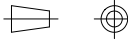

MATERIALS AND PLATING		UNIT: MICRO-INCHES
PART NAME	MATERIALS	PLATING
BODY	ZINC ALLOY	TIN PLATING THICK 100u"
INSULATOR	LCP 30%GF	N/A
CONTACT PIN	BRASS	PL.GOLD / TIN /COPPER
SHELL	PA10T 30GF%	N/A

ELECTRICAL CHARACTERISTICS	
IMPEDANCE	50 Ω
VOLTAGE RATING	335 V(rms)
FREQUENCY RANGE	DC ~9 GHz
DIELECTRIC WITHSTANDING VOLTAGE	>750 V
CONTACT RESISTANCE	CENTER CONTACT
	OUTER CONTACT
INSULATION RESISTANCE	>1000 MΩ
INSERTION LOSS	<0.15 * √ f GHz
VSWR	<1.25 @ DC~3 GHz <1.35 @ 3~6 GHz <1.65 @ 6~9 GHz
3RD INTERMODULATION	N/A

MECHANICAL CHARACTERISTICS	
MATING FORCE	≤ 45 N
DISENGAGEMENT FORCE	≥5N
CONNECTOR DISENGAGE WITH LOCK	≥110N
Durability	≥50 cycles

ENVIRONMENTAL PARAMETER	
TEMPERATURE RANGE	-40 °C~+105 °C

**\* CUSTOMER OUTLINE DRAWING**

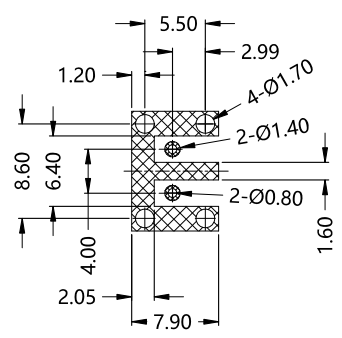
UNLESS OTHERWISE SPECIFIED: 1) EDGES : C0.15 MAX ; 2) REMOVE ALL BURRS ; 3) SURFACE ROUGHNESS : Ra1.6 ; 4) UNITS : mm ; 5) DIMENSIONS TOLERANCES DECIMALS : .x ±0.3 .xx ±0.2 .xxx±0.1; ANGLES : ± 5°.	THIRD ANGLE PROJECTION			
	APPROVED :			CUSTOMER P/N :
	CHECKED :	SCALE :		1 : 1
	DRAWING :	DATE :		2023-10-27
	PAGE : 1/2		TITLE : MINI FAKRA PLUG DOUBLE R/A FOR PCB WITH HOUSING DRAWING NO. : 5MK2M2*R-P42-100 COMPANY WEBSITE : www.slkcorp.com	

REV.	DESCRIPTION	ECN NO.	NAME	DATE
0	FIRST EDITION	N/A	Ming	2023-10-27



ALL PARTS MUST MEET TO RoHS REQUIREMENTS

Mechanical and Color Coding		
SLK P/N	Color	Coding
5MK2M2AR-P42-100	Black	A
5MK2M2BR-P42-100	White	B
5MK2M2CR-P42-100	Blue	C
5MK2M2DR-P42-100	Bordeaux Violet	D
5MK2M2ER-P42-100	Green	E
5MK2M2FR-P42-100	Brown	F
5MK2M2ZR-P42-100	Water Blue	Z



RECOMMENDED PCB LAYOUT TOP VIEW (TOLRANCE: ±0.05)

MATERIALS AND PLATING		UNIT: MICRO-INCHES
PART NAME	MATERIALS	PLATING
BODY	ZINC ALLOY	TIN PLATING THICK 100u"
INSULATOR	HTN 15%GF	N/A
CONTACT PIN	BRASS	PL.GOLD / TIN /COPPER
SHELL	PA4T 30GF%	N/A

ELECTRICAL CHARACTERISTICS	
IMPEDANCE	50 Ω
VOLTAGE RATING	335 V(rms)
FREQUENCY RANGE	DC ~9 GHz
DIELECTRIC WITHSTANDING VOLTAGE	>750 V
CONTACT RESISTANCE	CENTER CONTACT
	OUTER CONTACT
INSULATION RESISTANCE	>1000 MΩ
INSERTION LOSS	<0.15 * √ f GHz
VSWR	<1.25 @ DC~3 GHz <1.35 @ 3~6 GHz <1.65 @ 6~9 GHz
3RD INTERMODULATION	N/A

MECHANICAL CHARACTERISTICS	
MATING FORCE	≤ 45 N
DISENGAGEMENT FORCE	≥5N
CONNECTOR DISENGAGE WITH LOCK	≥110N
Durability	≥50 cycles

ENVIRONMENTAL PARAMETER	
TEMPERATURE RANGE	-40 °C ~+105 °C

\* CUSTOMER OUTLINE DRAWING

UNLESS OTHERWISE SPECIFIED: 1) EDGES : C0.15 MAX ; 2) REMOVE ALL BURRS ; 3) SURFACE ROUGHNESS : Ra1.6 ; 4) UNITS : mm ; 5) DIMENSIONS TOLERANCES DECIMALS : .x ±0.3 .xx ±0.2 .xxx±0.1; ANGLES : ± 5°.	THIRD ANGLE PROJECTION		
	APPROVED :		CUSTOMER P/N :
	CHECKED :		SCALE : 1 : 1
	DRAWING :		DATE : 2023-10-27
	PAGE : 2/2	TITLE : MINI FAKRA PLUG DOUBLE R/A FOR PCB WITH HOUSING DRAWING NO. : 5MK2M2*R-P42-100 COMPANY WEBSITE : www.slkcorp.com	