
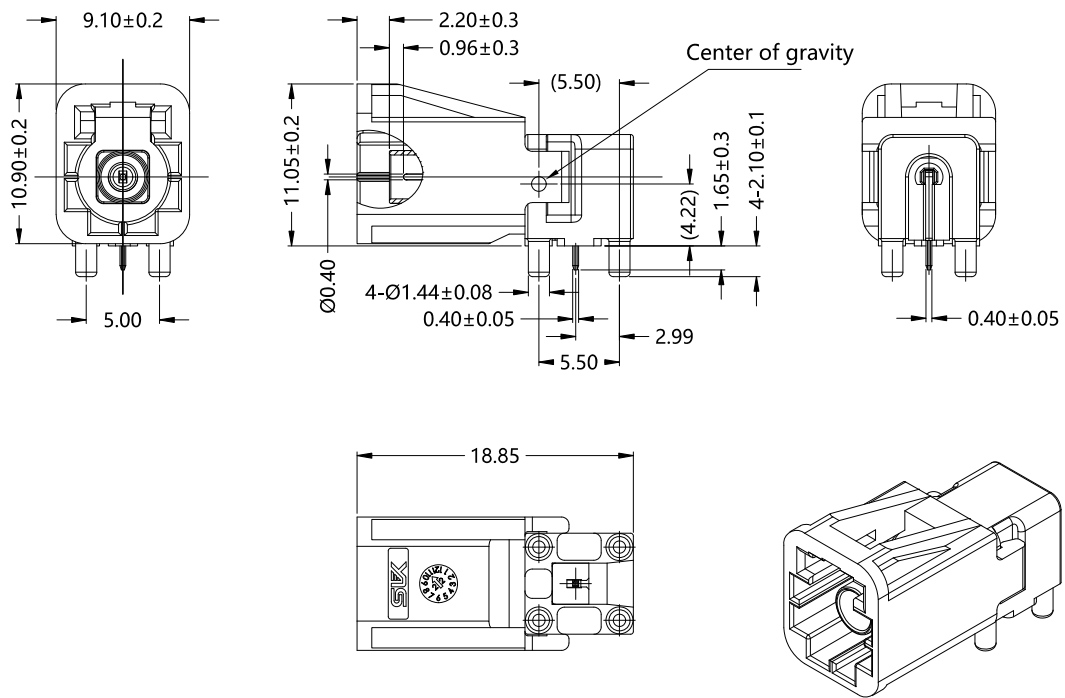


REV.	DESCRIPTION	ECN NO.	NAME	DATE	 ALL PARTS MUST MEET TO RoHS REQUIREMENTS
0	FIRST EDITION	N/A	Ming	2023-10-27	



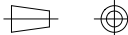

MATERIALS AND PLATING		UNIT: MICRO-INCHES
PART NAME	MATERIALS	PLATING
BODY	ZINC ALLOY	TIN PLATING THICK 100u"
INSULATOR	LCP 30%GF	N/A
CONTACT PIN	BRASS	PL.GOLD / TIN /COPPER
SHELL	PA10T 30GF%	N/A

ELECTRICAL CHARACTERISTICS		
IMPEDANCE	50 Ω	
VOLTAGE RATING	335 V(rms)	
FREQUENCY RANGE	DC ~9 GHz	
DIELECTRIC WITHSTANDING VOLTAGE	>750 V	
CONTACT RESISTANCE	CENTER CONTACT	<5.0 mΩ
	OUTER CONTACT	<5.0 mΩ
INSULATION RESISTANCE	>1000 MΩ	
INSERTION LOSS	<0.15 * √ f GHz	
VSWR	<1.25 @ DC~3 GHz <1.35 @ 3~6 GHz <1.65 @ 6~9 GHz	
3RD INTERMODULATION	N/A	

MECHANICAL CHARACTERISTICS	
MATING FORCE	≤ 45 N
DISENGAGEMENT FORCE	≥5N
CONNECTOR DISENGAGE WITH LOCK	≥110N
Durability	≥50 cycles

ENVIRONMENTAL PARAMETER	
TEMPERATURE RANGE	-40 °C ~+105 °C

*** CUSTOMER OUTLINE DRAWING**

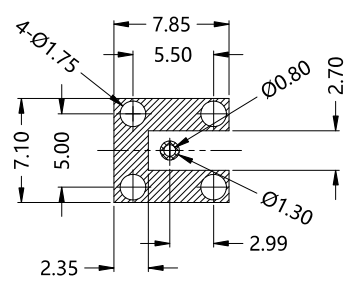
UNLESS OTHERWISE SPECIFIED: 1) EDGES : C0.15 MAX ; 2) REMOVE ALL BURRS ; 3) SURFACE ROUGHNESS : Ra1.6 ; 4) UNITS : mm ; 5) DIMENSIONS TOLERANCES DECIMALS : .x ±0.3 .xx ±0.2 .xxx±0.1; ANGLES : ± 5°.	THIRD ANGLE PROJECTION 			
	APPROVED :	CUSTOMER P/N :		TITLE : MINI FAKRA PLUG R/A FOR PCB WITH HOUSING
	CHECKED :	SCALE :	DRAWING NO. :	
	DRAWING :	DATE :	COMPANY WEBSITE : www.slkcorp.com	

REV.	DESCRIPTION	ECN NO.	NAME	DATE
0	FIRST EDITION	N/A	Ming	2023-10-27



ALL PARTS MUST MEET TO RoHS REQUIREMENTS

Mechanical and Color Coding		
SLK P/N	Color	Coding
5MKM2AR-P41-100	Black	A
5MKM2BR-P41-100	White	B
5MKM2CR-P41-100	Blue	C
5MKM2DR-P41-100	Bordeaux Violet	D
5MKM2ER-P41-100	Green	E
5MKM2FR-P41-100	Brown	F
5MKM2ZR-P41-100	Water Blue	Z



RECOMMENDED PCB LAYOUT TOP VIEW (TOLRANCE: ±0.05)

MATERIALS AND PLATING		UNIT: MICRO-INCHES
PART NAME	MATERIALS	PLATING
BODY	ZINC ALLOY	TIN PLATING THICK 100u"
INSULATOR	HTN 15%GF	N/A
CONTACT PIN	BRASS	PL.GOLD / TIN /COPPER
SHELL	PA4T 30GF%	N/A

ELECTRICAL CHARACTERISTICS	
IMPEDANCE	50 Ω
VOLTAGE RATING	335 V(rms)
FREQUENCY RANGE	DC ~9 GHz
DIELECTRIC WITHSTANDING VOLTAGE	>750 V
CONTACT RESISTANCE	CENTER CONTACT
	OUTER CONTACT
INSULATION RESISTANCE	>1000 MΩ
INSERTION LOSS	<0.15 * √ f GHz
VSWR	<1.25 @ DC~3 GHz <1.35 @ 3~6 GHz <1.65 @ 6~9 GHz
3RD INTERMODULATION	N/A

MECHANICAL CHARACTERISTICS	
MATING FORCE	≤ 45 N
DISENGAGEMENT FORCE	≥5N
CONNECTOR DISENGAGE WITH LOCK	≥110N
Durability	≥50 cycles

ENVIRONMENTAL PARAMETER	
TEMPERATURE RANGE	-40 °C ~+105 °C

* CUSTOMER OUTLINE DRAWING

UNLESS OTHERWISE SPECIFIED:
 1) EDGES : C0.15 MAX ;
 2) REMOVE ALL BURRS ;
 3) SURFACE ROUGHNESS : Ra1.6 ;
 4) UNITS : mm ;
 5) DIMENSIONS TOLERANCES
 DECIMALS : .x ±0.3 .xx ±0.2 .xxx±0.1;
 ANGLES : ± 5°.

THIRD ANGLE PROJECTION	
APPROVED :	CUSTOMER P/N :
CHECKED :	SCALE : 1 : 1
DRAWING :	DATE : 2023-10-27
PAGE : 2/2	



TITLE : MINI FAKRA PLUG R/A FOR PCB WITH HOUSING
 DRAWING NO. : 5MKM2*R-P41-100
 COMPANY WEBSITE : www.slkcorp.com