

Superlink SiO2 Coaxial Cable



深圳市速联技术有限公司

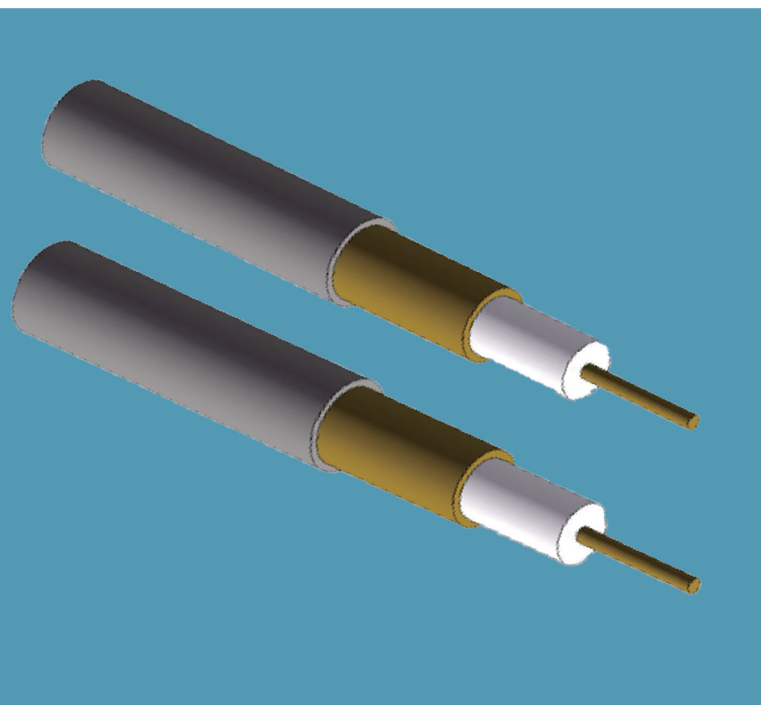
网址: www.slkcorp.cn

地址: 深圳市光明区公明街道下村第五工业区11号

电话: +86755-89814648



Shenzhen Superlink Technology Co.,Ltd.



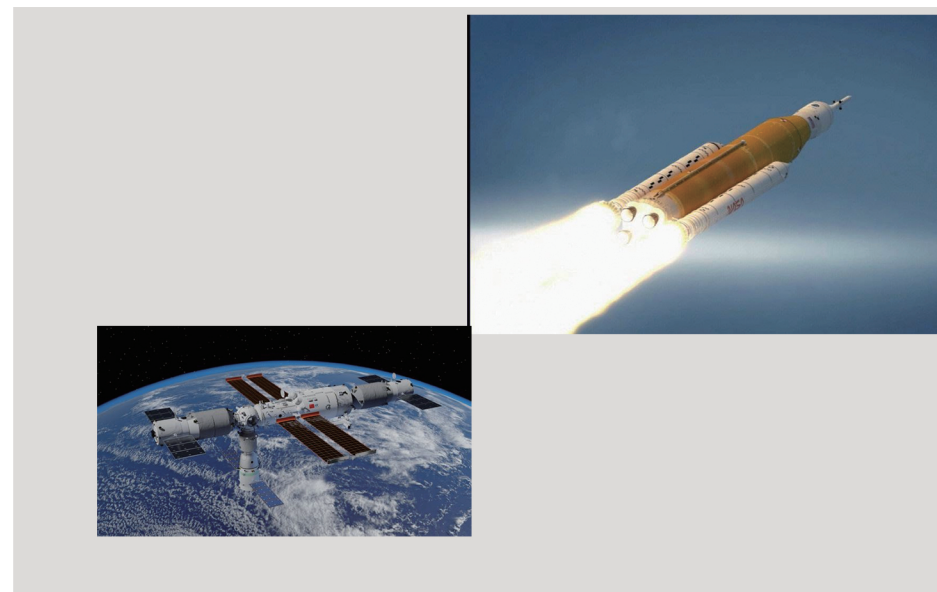
Features

- low loss
- High temperature resistance
- Resistance to super strong radiation
- up to 40GHz
- excellent phase stability

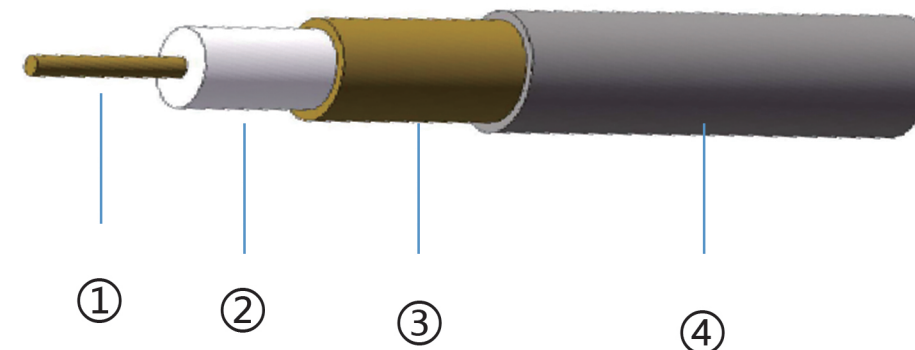
Superlink SiO2 coaxial cable have advanced technology in the field of cable design, cable manufacturing. Improvements have been made in the areas of silicon dioxide material, silicon dioxide technology and the range of silicon dioxide types available. Materials and cable manufacturing capability make Superlink SiO2 coaxial cable have the most advanced microwave transmission available for the hardest interconnect applications.

typical application

- Aerospace
- nuclear power plant
- Oil prospecting



Cable type	Common capatible connector	Common capatible connector	
		N (12GHz)	3.5mm (26.5GHz)
SIC-230	Up to 10GHz		•
SIC-360	Up to 40GHz	•	•
SIC-630	Up to 10GHz	•	



- ① center conductor
- ② medium
- ③ Outer conductor
- ④ jacket

SIC series	SIC-230	SIC-360	SIC-690
Cable Electrical performance			
Diameter(mm)	2.30±0.10	3.60±0.10	6.90±0.10
Impedance(Ohm)	50	50	50
Operation Frequency (GHz)	40	40	18
Velocity of Propagation	80%	80%	80%
Shielding Effectiveness (dB)	110	110	110
Voltage Withstand (V,RMS)	900	1600	3300
Cable mechanical and environment performance			
Radiation Resistance	Great	Great	Great
Humidity	0~100%	0~100%	0~100%
Chemical Resistance	Oil and Fuel	Oil and Fuel	Oil and Fuel
Bend Radius:installation (mm)	8	12	25
Weight (g/m)	22	36	110
Temp, Operating& Installation (°C)	-273~1000	-273~1000	-273~1000