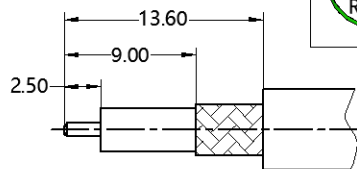


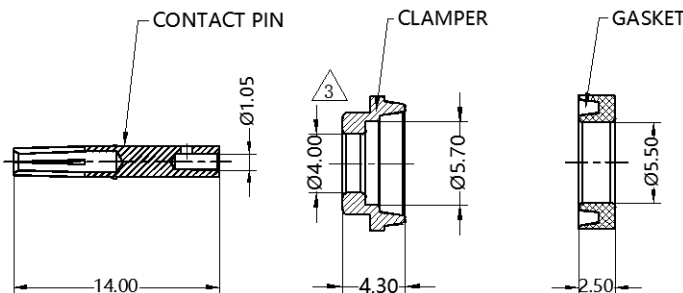
REV.	DESCRIPTION	ECN NO.	NAME	DATE
2	UPDATE THE SIZE	N/A	HRWEI	2024-09-26
3	UPDATE THE SIZE	N/A	LEI CHAO	2024-10-09



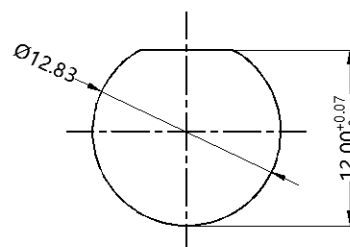
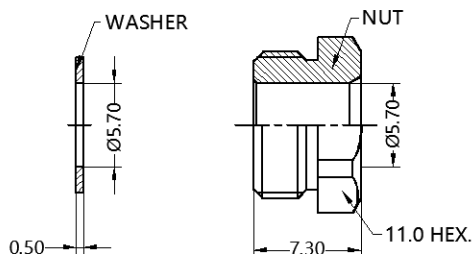
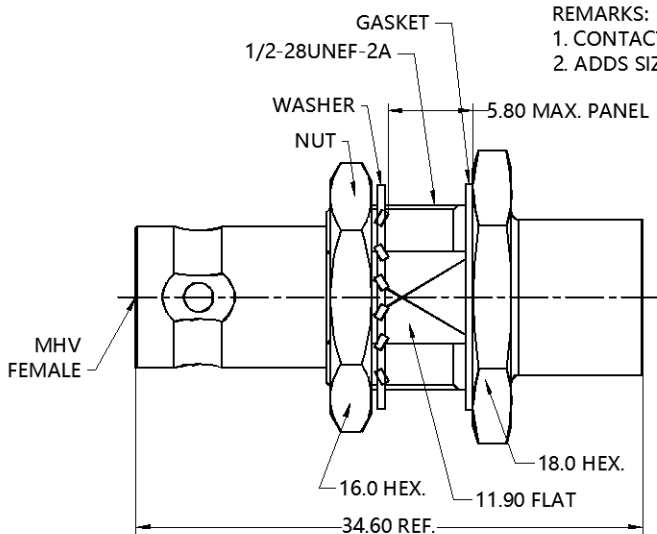
ALL PARTS MUST MEET TO RoHS REQUIREMENTS



RECOMMENDED CABLE STRIPPING DIM'S



REMARKS:  
1. CONTACT PIN TO SOLDER  
2. ADDS SIZE:12.95 mm



RECOMMENDED MOUNTING HOLE DIM'S

MATERIALS AND PLATING		UNIT: MICRO-INCHES
PART NAME	MATERIALS	PLATING
BODY	BRASS C3604	ALBALOY 80 u"/COPPER
INSULATOR	PTFE	N/A
CONTACT PIN	Be-Cu 17300	GOLD 3 u" /COPPER
GASKET	SILICONE	N/A
WASHER/NUT	BRASS C3604	ALBALOY 80 u"/COPPER
CLAMPER	BRASS C3604	ALBALOY 80 u"/COPPER

ELECTRICAL CHARACTERISTICS	
IMPEDANCE	50 Ω
VOLTAGE RATING	335 V(rms)
FREQUENCY RANGE	DC-300 MHz
DIELECTRIC WITHSTANDING VOLTAGE	>1500 V
CONTACT RESISTANCE	CENTER CONTACT <2.0 mΩ
	OUTER CONTACT <1.5 mΩ
INSULATION RESISTANCE	>5000 MΩ
INSERTION LOSS	N/A
VSWR	N/A

MECHANICAL CHARACTERISTICS	
FORCE TO ENGAGE AND DISENGAGE	N/A
CENTER CONTACT RETENTION FORCE	N/A
RECOMMENDED COUPLING TORQUE	N/A
SHELL RETENTION FORCE	N/A
DURABILITY	> 500 cycles

ENVIRONMENTAL PARAMETER	
TEMPERATURE RANGE	-40°C~+85°C

CUSTOMER OUTLINE DRAWING

UNLESS OTHERWISE SPECIFIED:  
1) EDGES : C0.15 MAX ;  
2) REMOVE ALL BURRS ;  
3) SURFACE ROUGHNESS : Ra1.6 ;  
4) UNITS : mm ;  
5) DIMENSIONS TOLERANCES  
DECIMALS : .x ±0.3 .xx ±0.2 .xxx±0.1;  
ANGLES : ± 5°.

THIRD ANGLE PROJECTION	
APPROVED :	CUSTOMER P/N :
CHECKED :	SCALE :
DRAWING :	DATE : 2024-10-09
	PAGE : 1/1



TITLE : MHV FEMALE S/T CLAMP FOR RG-58&142 CABLE  
DRAWING NO. : 5MVF14S-A41-100  
COMPANY WEBSITE : www.slkcorp.com

CUSTOMER OUTLINE DRAWING