
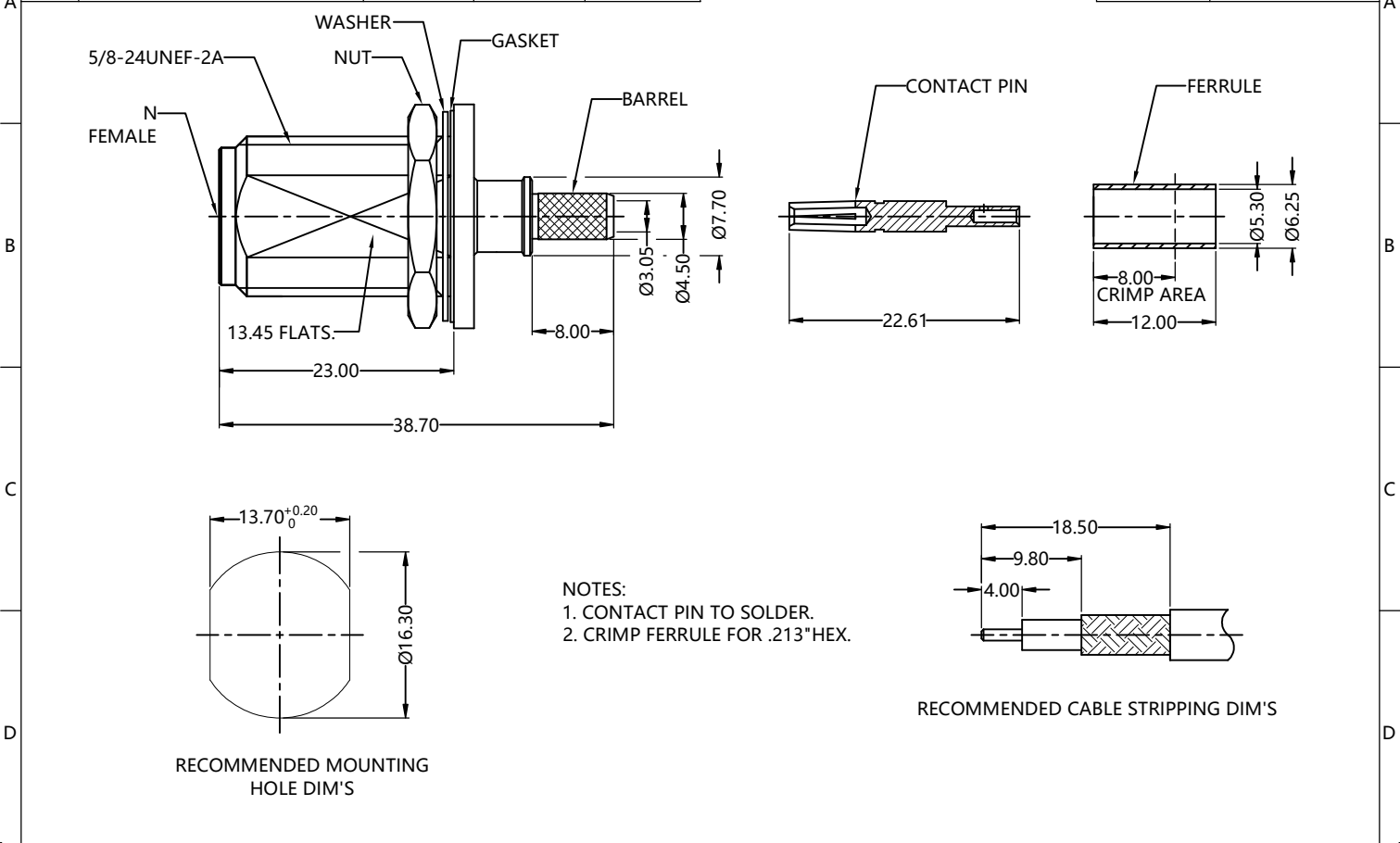


REV.	DESCRIPTION	ECN NO.	NAME	DATE	 ALL PARTS MUST MEET TO RoHS REQUIREMENTS
0	FIRST EDITION	N/A	JASON	2022-10-12	
1	UPDATE DRAWING	N/A	CG	2024-12-13	




MATERIALS AND PLATING		UNIT: MICRO-INCHES
PART NAME	MATERIALS	PLATING
BODY/BARREL	BRASS C3604	ALBALOY 80 u\"/>

ELECTRICAL CHARACTERISTICS	
IMPEDANCE	50 Ω
VOLTAGE RATING	750 V(rms)
FREQUENCY RANGE	DC ~ 6 GHz
DIELECTRIC WITHSTANDING VOLTAGE >1500 V	
CONTACT RESISTANCE	CENTER CONTACT <1.0 mΩ
	OUTER CONTACT <0.2 mΩ
INSULATION RESISTANCE	>5000 MΩ
INSERTION LOSS	According to the cable
VSWR	<1.35

MECHANICAL CHARACTERISTICS	
FORCE TO ENGAGE AND DISENGAGE	N/A
CENTER CONTACT RETENTION FORCE	N/A
DURABILITY	> 500 cycles

ENVIRONMENTAL PARAMETER	
TEMPERATURE RANGE	-40 °C ~ +125 °C

*** CUSTOMER OUTLINE DRAWING**

UNLESS OTHERWISE SPECIFIED: 1) EDGES : C0.15 MAX ; 2) REMOVE ALL BURRS ; 3) SURFACE ROUGHNESS : Ra1.6 ; 4) UNITS : mm ; 5) DIMENSIONS TOLERANCES DECIMALS : .x ±0.3 .xx ±0.2 .xxx±0.1 ; ANGLES : ± 5°.	THIRD ANGLE PROJECTION	 TITLE : N FEMALE BULKHEAD S/T CRIMP FOR LMR-195 CABLE, 50Ω DRAWING NO. : 5NCF31S-A45 COMPANY WEBSITE : www.slkcorp.com	
	APPROVED :		CUSTOMER P/N :
	CHECKED :		SCALE : 1:1
	DRAWING : CG		DATE : 2024-12-13
PAGE : 1/1			

CUSTOMER OUTLINE DRAWING