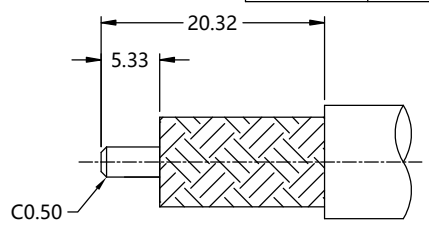


REV.	DESCRIPTION	ECN NO.	NAME	DATE
0	FRIST EDITION	N/A	HRWEI	2023-03-28
1	UPDATE DRAWING	N/A	CG	2024-12-26

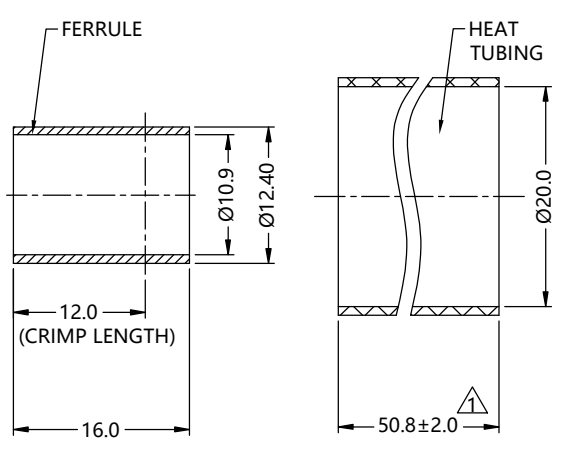
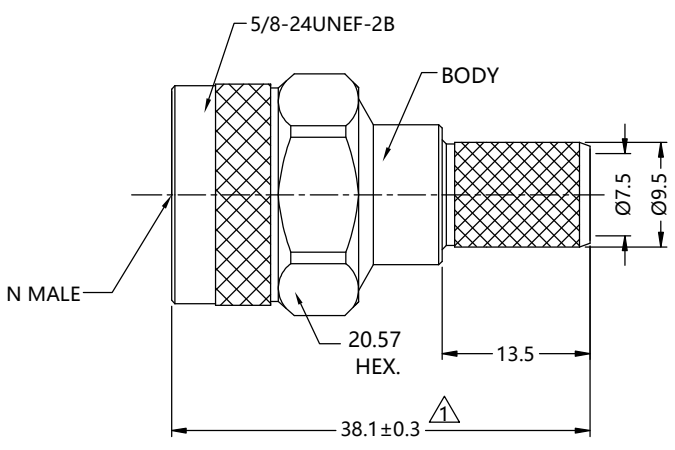


ALL PARTS MUST MEET TO RoHS REQUIREMENTS

- NOTES:
 1. CONTACT PIN TO CAPTIVE \triangle
 2. ADDS SIZE : 19.3mm
 3. CRIMPED FERRULE HEX. CRIMP SIZE .429"



RECOMMENDED CABLE STRIPPING DIM'S



MATERIALS AND PLATING		UNIT: MICRO-INCHES
PART NAME	MATERIALS	PLATING
BODY/SHELL	BRASS C3604	ALBALOY 80u"/COPPER
INSULATOR	PTFE ASTM-D-1710	N/A
CONTACT PIN	Be-Cu C17300	GOLD 50u"/NICKEL/COPPER
FERRULE	COPPER T2	ALBALOY 80u"/COPPER
GASKET	SILICONE	RED

ELECTRICAL CHARACTERISTICS	
IMPEDANCE	50 Ω
VOLTAGE RATING	500 V(rms)
FREQUENCY RANGE	DC ~ 6 GHz
DIELECTRIC WITHSTANDING VOLTAGE	>1000 V
CONTACT RESISTANCE	CENTER CONTACT <1.0 m Ω
	OUTER CONTACT <0.25 m Ω
INSULATION RESISTANCE	>5000 M Ω
INSERTION LOSS	<0.1X \sqrt{f} GHz dB
VSWR	<1.25
3RD INTERMODULATION	N/A

MECHANICAL CHARACTERISTICS	
FORCE TO ENGAGE AND DISENGAGE	N/A
CABLE RETENTION FORCE	N/A
RECOMMENDED COUPLING TORQUE	9-14 in-lbs
COUPLING NUT RETENTION FORCE	>100 lbs
DURABILITY	>500 cycles

ENVIRONMENTAL PARAMETER	
TEMPERATURE RANGE	-40 $^{\circ}$ C ~ +125 $^{\circ}$ C

*CUSTOMER OUTLINE DRAWING

- UNLESS OTHERWISE SPECIFIED:
 1) EDGES : C0.15 MAX ;
 2) REMOVE ALL BURRS ;
 3) SURFACE ROUGHNESS : Ra1.6 ;
 4) UNITS : mm ;
 5) DIMENSIONS TOLERANCES
 DECIMALS : .x \pm 0.3 .xx \pm 0.2 .xxx \pm 0.1;
 ANGLES : \pm 5 $^{\circ}$.

THIRD ANGLE PROJECTION	
APPROVED :	CUSTOMER P/N :
CHECKED :	SCALE : 3 : 2
DRAWING :	DATE : 2024-12-26
PAGE : 1/1	

TITLE : N MALE S/T CRIMP FOR LMR-400 CABLE,50 Ω
 DRAWING NO. : 5NCM11S-A11-106
 COMPANY WEBSITE : www.slkcorp.com

CUSTOMER OUTLINE DRAWING