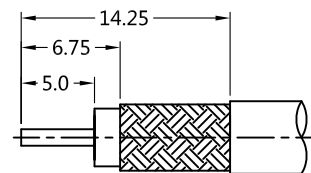


REV	DESCRIPTION	ECN NO	NAME	DATE
0	FIRST EDITION	N/A	CLOUD	2012-05-18
1	NEW FRAME	N/A	LW	2020-07-09

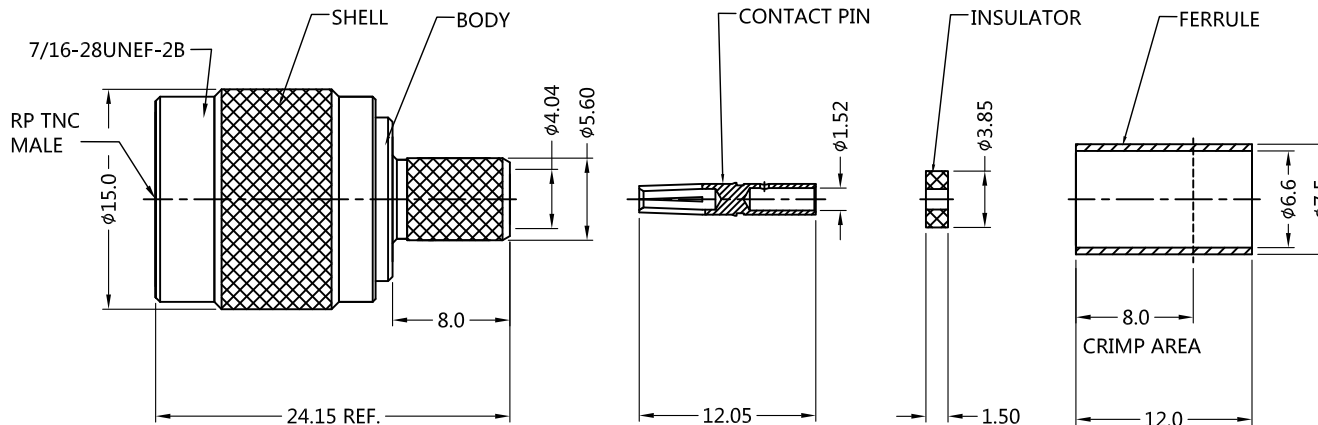


ALL PARTS MUST MEET TO RoHS REQUIREMENTS

REMARKS:
 1.ADDS SIZE:10.4mm
 2.CONTACT PIN TO SOLDER
 3.CRIMPED FERRULE HEX. CRMIP SIZE .255"



RECOMMENDED CABLE STRIPPING DIM'S

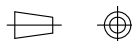


MATERIALS AND PLATING		UNIT: MICRO-INCHES	ELECTRICAL CHARACTERISTICS	
BODY/SHELL	BRASS C3604	NICKEL 100 u"/COPPER	IMPEDANCE	50 Ω
CONTACT PIN	PHOSPHOR BRONZE	GOLD 5 u"/COPPER	VOLTAGE RATING	250 V(rms)
INSULATOR	PTFE ASTM-D-1710	N/A	FREQUENCY RANGE	DC~6 GHz
FERRULE	BRASS	NICKEL 100 u"/COPPER	DIELECTRIC WITHSTANDING VOLTAGE	>750 V
GASKET	SILICONE	RED	CONTACT RESISTANCE	CENTER CONTACT <1.5 mΩ OUTER CONTACT <0.2 mΩ
			INSULATION RESISTANCE	>5000 MΩ
			INSERTION LOSS	<0.05√F dB
			VSWR	<1.35
			3RD INTERMODULATION	N/A
MECHANICAL CHARACTERISTICS			ENVIRONMENTAL CHARACTERISTICS	
FORCE TO ENGAGE AND DISENGAGE		N/A	TEMPERATURE RANGE	-40 °C~+165 °C
CENTER CONTACT RETENTION FORCE		>6 lbs	THERMAL SHOCK	MIL- STD 202, Meth. 107,Cond. B
RECOMMENDED COUPLING TORQUE		8~12 lbs	VIBRATION	MIL- STD 202, Meth. 204,Cond. B
COUPLING NUT RETENTION FORCE		>100 lbs	SHOCK	MIL- STD 202, Meth. 213,Cond. I
DURABILITY		>500 cycles		

* CUSTOMER OUTLINE DRAWING

UNLESS OTHERWISE SPECIFIED:
 1) C0.15 MAX;
 2) REMOVE ALL BURRS;
 3) SURFACE ROUGHNESS : Ra1.6;
 4) UNITS:mm;
 5) DIMENSIONS TOLERANCES
 DECIMALS .x ±0.3 .xx ±0.2 .xxx±0.1
 ANGLES ±5°

THIRD ANGLE PROJECTION



APPROVED:

CUSTOMER P/N:

CHECKED:

SCALE:

2:1

DRAWING:

DATE: 2020-07-09

COMPANY WEBSITE: www.slkcorp.com



TITLE: RP TNC MALE S/T CRIMP FOR LMR-240 CABLE,50Ω

DRAWING NO: 5RTCM11S-A46-009

CUSTOMER OUTLINE DRAWING