
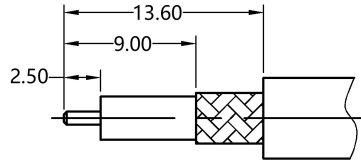
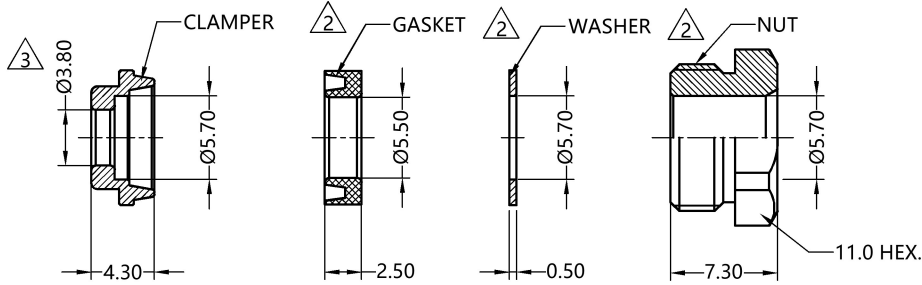
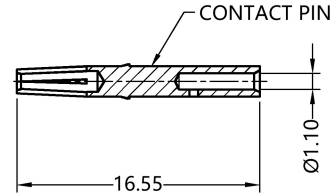
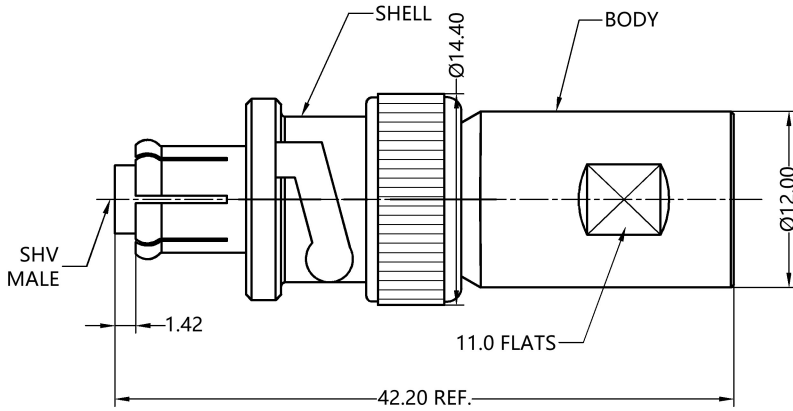


REV.	DESCRIPTION	ECN NO.	NAME	DATE	CODDATE	 ALL PARTS MUST MEET TO RoHS REQUIREMENTS
3	UPDATE THE SIZE	N/A	HRWEI	2024/9/26	CODSIGN	

REMARKS:
 1.CONTACT PIN TO SOLDER
 2. ADDS SIZE:19.10 mm



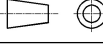
RECOMMENDED CABLE STRIPPING DIM'S



MATERIALS AND PLATING UNIT: MICRO-INCHES			ELECTRICAL CHARACTERISTICS	
PART NAME	MATERIALS	PLATING		
BODY/SHELL	BRASS C3604	NICKEL 100 u"/ COPPER ¹	IMPEDANCE	50 Ω
INSULATOR	PTFE ASTM-D-1710	N/A	VOLTAGE RATING	3500 V(rms)
CONTACT PIN	Be-Cu C17300	GOLD 5 u"/NICKEL/COPPER ¹	FREQUENCY RANGE	DC-300 MHz
CLAMPER /NUT	BRASS C3604	NICKEL 100 u"/ COPPER ¹	DIELECTRIC WITHSTANDING VOLTAGE	>5000 V
GASKET	SILICONE	N/A	CONTACT RESISTANCE	CENTER CONTACT <2.0 mΩ
WASHER	BRASS C3604	NICKEL100 u"/ COPPER ²		OUTER CONTACT <1.5 mΩ
			INSULATION RESISTANCE	>5000 MΩ
			INSERTION LOSS	N/A
			VSWR	N/A
			3RD INTERMODULATION	N/A
MECHANICAL CHARACTERISTICS			ENVIRONMENTAL PARAMETER	
FORCE TO ENGAGE AND DISENGAGE		N/A	TEMPERATURE RANGE	-40 °C~+125 °C
CENTER CONTACT RETENTION FORCE		N/A	CORROSION	MIL- STD 202, Meth. 101,Cond. B
RECOMMENDED COUPLING TORQUE		N/A	VIBRATION	MIL- STD 202, Meth. 204,Cond. A
COUPLING SHELL RETENTION FORCE		> 60 lbs	SHOCK	MIL- STD 202, Meth. 213,Cond. I
DURABILITY		> 500 cycles		

CUSTOMER OUTLINE DRAWING

UNLESS OTHERWISE SPECIFIED:
 1) EDGES: C0.10 MAX.
 2) REMOVE ALL BURRS;
 3) SURFACE ROUGHNESS: Ra1.6
 4) UNITS: mm
 5) DIMENSIONS TOLERANCES
 DECIMALS: .x±0.2, .xx±0.1, .xxx±0.05
 ANGLES: ±5° AXIALITY: 0.05

THIRD ANGLE PROJECTION	
APPROVE:	APPROVED
STANDARD:	STANDARDS
PROCESS:	PROCESSES
CHECK:	CHECKED
DRAWING:	HRWEI

CUSTOMER P/N:	
PNUM:	
LIFE STAGE:	
SCALE:	2:1
FRAME:	A4
PAGE:	1/1
DATE:	2024/9/26



TITLE:
 SHV MALE S/T FOR RG58/RG142 CABLE,50Ω
 PRODUCT P/N:
 5SHM14S-A09-100
 WEBSITE : www.slkcorp.com | PLM V2.3

CUSTOMER OUTLINE DRAWING