

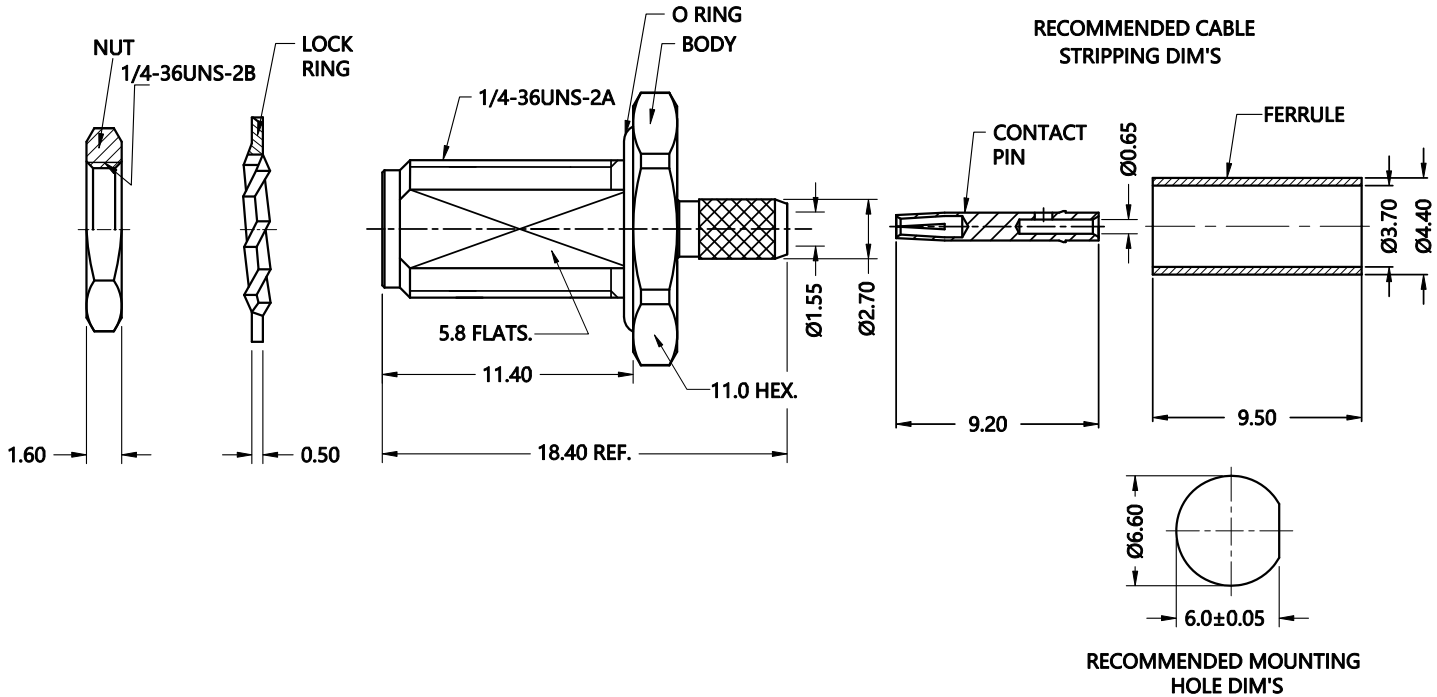
REV.	DESCRIPTION	ECN NO.	NAME	DATE
0	FIRST EDITION	N/A	HRWEI	2022-12-09



ALL PARTS MUST MEET TO RoHS REQUIREMENTS

**REMARKS:**

- 1.ADDS SIZE: 8.6 mm
- 2.CONTACT PIN TO SOLDER
- 3.CRIMPED FERRULE HEX. CRIMP SIZE .150"



MATERIALS AND PLATING		UNIT: MICRO-INCHES
PART NAME	MATERIALS	PLATING
BODY	BRASS C3604	GOLD 3 u*/NICKEL/COPPER
INSULATOR	PTFE ASTM-D-1710	N/A
CONTACT PIN	Be-Cu C17300	GOLD 5 u*/NICKEL/COPPER
O-RING	SILICONE	RED
FERRULE	BRASS	GOLD 3 u*/NICKEL/COPPER
NUT	BRASS C3604	GOLD 3 u*/NICKEL/COPPER
LOCK RING	BRASS C3604	GOLD 3 u*/NICKEL/COPPER

ELECTRICAL CHARACTERISTICS	
IMPEDANCE	50 Ω
VOLTAGE RATING	335 V(rms)
FREQUENCY RANGE	DC ~ 18 GHz
DIELECTRIC WITHSTANDING VOLTAGE	>1000 V
CONTACT RESISTANCE	CENTER CONTACT
	OUTER CONTACT
INSULATION RESISTANCE	>5000 MΩ
INSERTION LOSS	<0.1*√f(GHz) dB
VSWR	<1.30 (@-6 GHz)
3RD INTERMODULATION	N/A

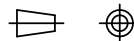
MECHANICAL CHARACTERISTICS	
CENTER CONTACT RETENTION FORCE	>6.0 lbs
COUPLING PROOF TORQUE	N/A
COUPLING NUT RETENTION FORCE	N/A
DURABILITY	>500 cycles

ENVIRONMENTAL PARAMETER	
Temperature range	-55 °C~+125 °C
Salt Spray Test	48H

**\* CUSTOMER OUTLINE DRAWING**

- UNLESS OTHERWISE SPECIFIED:
- 1) EDGES : C0.15 MAX ;
  - 2) REMOVE ALL BURRS ;
  - 3) SURFACE ROUGHNESS : Ra1.6 ;
  - 4) UNITS : mm ;
  - 5) DIMENSIONS TOLERANCES  
DECIMALS : .x ±0.3 .xx ±0.2 .xxx±0.1;  
ANGLES : ± 5°.

THIRD ANGLE PROJECTION



APPROVED :

CUSTOMER P/N :

CHECKED :

SCALE :

3: 1

DRAWING :

DATE : 2022-12-09

PAGE : 1/1



TITLE : SMA FEMALE S/T BULKHEAD FOR RG316D CABLE,50Ω

DRAWING NO. : 5MAF31S-A50-002

COMPANY WEBSITE : www.slkcorp.com